

TECHNICAL SPECIFICATION

Movable industrial sockets HT type, IP44

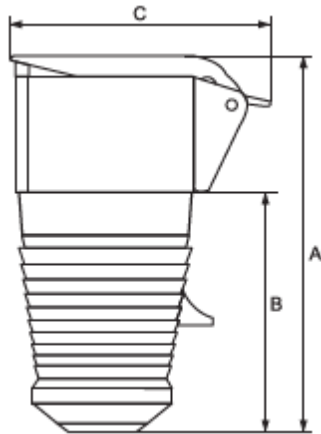
Description:

Made of special high quality plastic with alloys against aging at sun light exposing and for increasing the mechanical strength. They are designed in accordance with standard EN 60309 and provide reliable connection and high protection level against electrical current. They provide IP protection not less than IP 44. They are designed for surface or flush mounting, movable or fixed type.

Technical data:

- Rated voltage: 500V
- Rated short circuit current: according to the mounted protection in the boards
- Impulse voltage wear resistance: 8kV
- Mechanical wear resistance: 3000 cycles
- IP code: IP 44
- Plastic: UV rays wear resistance
- Ambient temperature: -5 to +65°C
- Altitude: up to 2000m
- Plugs and sockets: 6h

Variants and dimensions:



Model	In (A)	Poles	Un (V)	Dimensions (mm) A / C	IP code	Packing / Box	Catalogue number
HT-213	16	1P+N+E	230	130 / 96	44	2 / 10 / 100	37213
HT-223	32	1P+N+E	230	149 / 90	44	2 / 10 / 60	37223



Model	In (A)	Poles	Un (V)	Dimensions (mm) A / C	IP code	Packing / Box	Catalogue number
HT-214	16	3P+E	400	131 / 96	44	2 / 10 / 100	37214
HT-224	32	3P+E	400	149 / 90	44	2 / 10 / 100	37224
HT-234	63	3P+E	400	230 / 109	44	2 / 10	37234
HT-244	125	3P+E	400	290 / 124	44	2 / 10	37244



Model	In (A)	Poles	Un (V)	Dimensions (mm) A / C	IP code	Packing / Box	Catalogue number
HT-215	16	3P+N+E	400	131 / 90	44	2 / 10 / 100	37215
HT-225	32	3P+N+E	400	154 / 100	44	2 / 10 / 60	37225
HT-235	63	3P+N+E	400	230 / 100	44	2 / 10	37235
HT-245	125	3P+N+E	400	290 / 124	44	2 / 10	37245

Standards:

EN 60309-1

EN 60309-2

